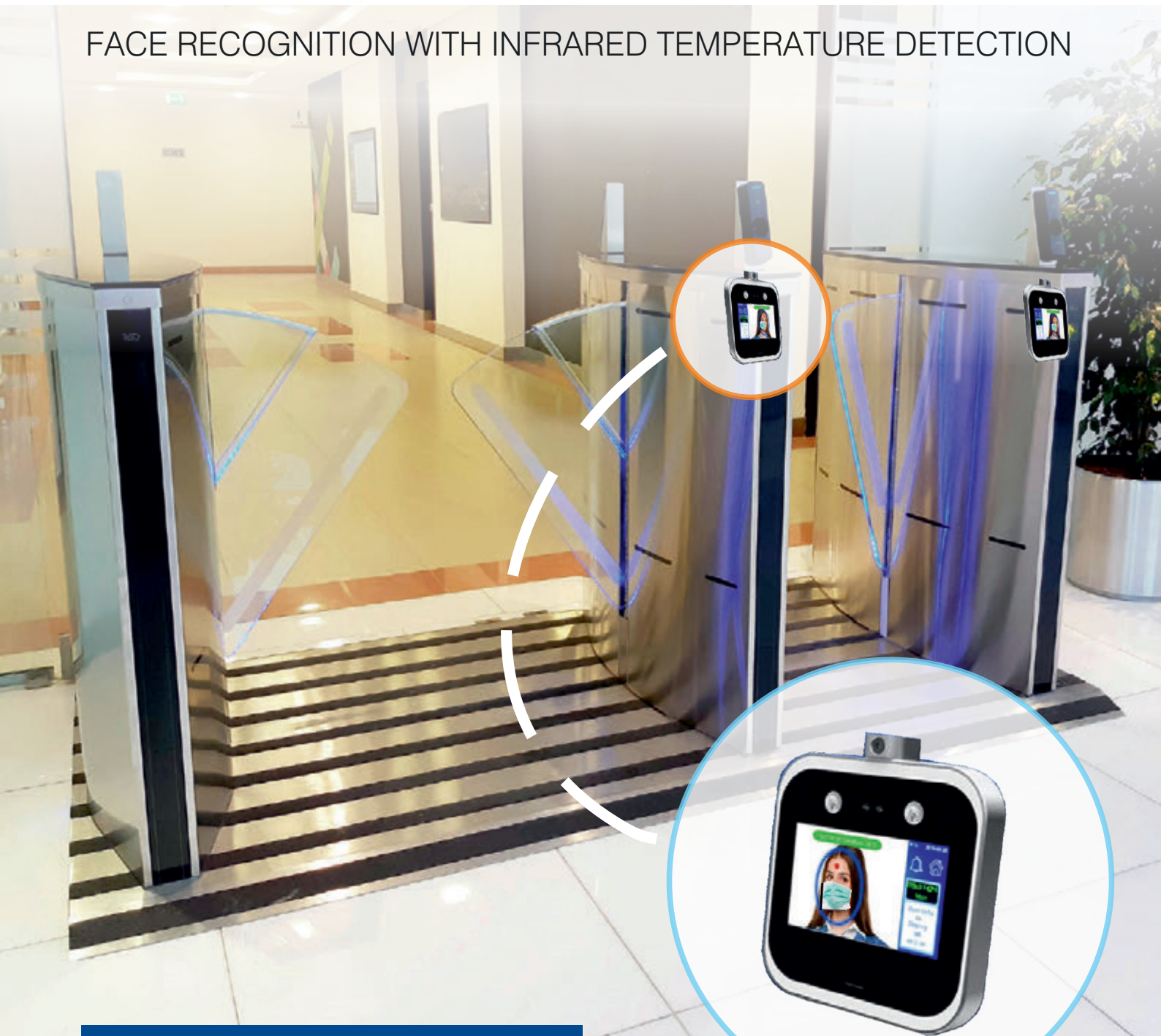




Expert Security UK

SPEED GATES WITH INTEGRATED SYSTEMS TO DETECT SYMPTOMS OF VIRUS

FACE RECOGNITION WITH INFRARED TEMPERATURE DETECTION



Expert Security company offers special solution for authorizing access depending on persons state of health. More specifically such system enables to limit access of people with suspected disease symptoms such as high temperature.

Expert Security speed gates with special integrated authorization system performs face identification and monitors body temperature.

Such solution can be widely used in public places like hospitals, airports, border control zones, etc.



ENTRY IS ALLOWED



ENTRY IS FORBIDDEN
(abnormal temperature, no mask wearing etc.)

HIGH-PRECISION INFRARED TEMPERATURE DETECTION SENSORS

Fast non-contact automatic body temperature detection.
Range 30-45 (± 0.3).
Distance 0.2 - 0.7 m.
Live temperature on display monitoring.
Abnormal temperature alarm or deny access.

DYNAMIC FACE RECOGNITION

Fast face identification less than 0.2s.
Unique face recognition algorithm to accurately recognize face with a mask.
Memory 3000 faces and 1 000 000 logs.

5" DISPLAY + TOUCH SCREEN

Capacitive touch screen for easy configuration at standalone mode.
Bright TFT display with live face, name, temperature monitoring.

ATTENDANCE FUNCTION

Support network connection LAN/WiFi with free software and USB flash drive detailed temperature detection record and attendance reports for standalone mode.

COMMUNICATION METHOD

Ethernet TCP/IP, WiFi, USB, Wiegant.

TECHNICAL SPECIFICATION

TF-R19T Temperature Detection Face Recognition System

Case materials	Plastic shell, metal back plate
CPU processor	4 Core 1.2G
RAM	4G DDR3
ROM	32G eMMC
Camera	Pixel HD colorful camera
	Infrared camera
	Thermal imaging camera
	High light. LED fill light
Fill light	Dual infrared high power fill light
Display screen	5" capacity touch screen
Screen resolution	854*480
Keypad Touch	virtual keypad
Communication method	TCP/IP, WiFi, USB PEN DRIVE
FRR	<= 0.1%
FAR	<= 0.001%
Product size	154mm*152mm*22mm
Power supply	DC 12V, 2A
Working temperature	915°C to 60°C
AE	LINUXS System
Language	English
User ID capacity	3000
Face capacity	3000
User record capacity	1 000 000
Identification type	Dynamic face recognition
Identification display	Person name & number
Face recognition time	Less than 0.2s
Intelligent function	Infrared live person identification detection
Face Recognition distance	0.5-1.0 m
Temperature detection distance	0.2-0.7 m
Temperature detection error	±0.3 °C
Temperature detection unit	0.1 °C

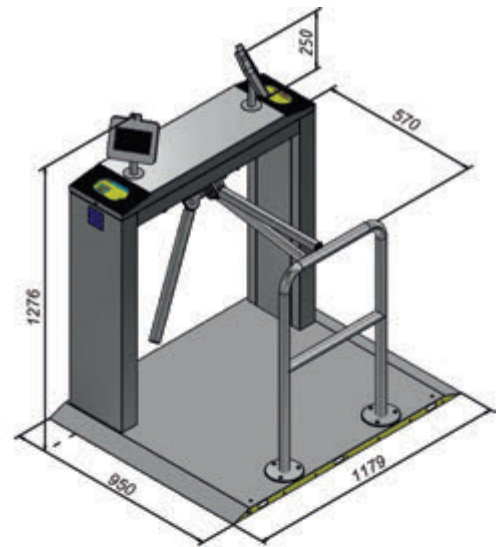
TF-R19T Temperature Detection Face Recognition System



We offer you the most popular models for integration with face recognition with infrared temperature detection system. But you can choose another speed gates for integration with the system depending on the requirements of your project. Please contact our managers at info@expertsecurityuk.co.uk and we will help you choose most the model.

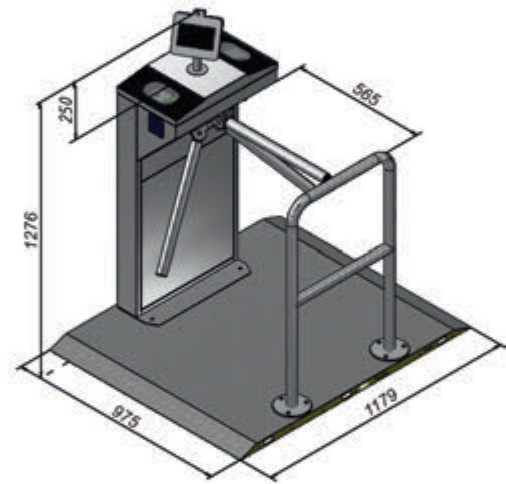
Twix-M

Twix-M turnstile is a robust and reliable model of the tripod turnstile series. This model will efficiently control the entrance even in intensive pedestrian flow mode, making it suitable for heavily used sites like stadiums, industrial plants or factories. Design of this tripod barriers for access control is sleek and elegant, with a choice of housing finishing options it will fit perfectly in both modest interiors as well elegant office buildings.



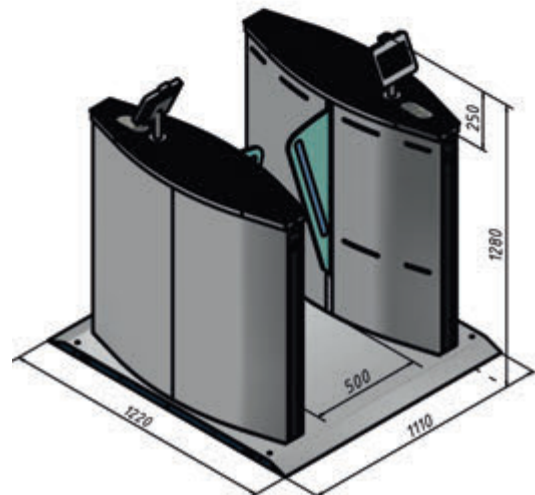
Bastion-M

Bastion-M is one leg base tripod gate. Bastion-M tripod access system has a new mechanism Triservo-M. Bastion-M has a double LED indication too. Enlarged housing of this access turnstile allows getting extra strength and robust benefits which keep pedestrian traffics of high intensity.



Speedblade (500+900)

Speedblade is motorised turnstiles featuring sliding blades. The housing material and lightweight cabinet shape make Speedblade security turnstiles suitable for a large variety of facilities, especially those with a requirement for aesthetically attractive equipment. In addition, Speedblade includes an anti-tailgating function. The sliding blades are made of glass, with polycarbonate an option. This motorized turnstile can be controlled by push button or via an access control system.



FEATURES:

- Contactless temperature control – allows to control access of people with abnormal temperature.
- Equipped with audio module (siren) – in case of detection of person with abnormal temperature.
- Face recognition of a person with mask on face.
- Alarm in case of mask absence on face;
- Readymade solution that does not require special provision for installation and can be mounted in any place with help of universal mounting plate.
- Free software – work hour counter + monitors of body temperature per employee.
- Materials: SS 304 (optionally SS 316) IP54 protection for easy disinfection



ADVANTAGES



FACE AND MASK
RECOGNITION



MASK WEARING
REMINDING



NON CONTACT,
SAFE FROM INFECTION



50K FACE
DATABASE



IR TEMPERATURE
DETECTION



TEMPERATURE RANGE:
35°C - 42°C
ACCURANCY 0.3°C



ALARM FOR
ABNORMAL
TEMPERATURE



APPLIXABLE TO
MULTIPLE
SCENARIOS



Expert Security UK

Address

Expert Security UK
Unit 4
Lowercroft Business Park
Lowercroft Rd
Bury
BL8 3PA

Telephone

0161 797 7370

Email us

info@expertsecurityuk.co.uk

Visit

www.expertsecurityuk.co.uk



*All of our products are installed with a **12-month guarantee** that covers you for any call outs or faults that are not a result of misuse or vandalism.*